

Fig. 1

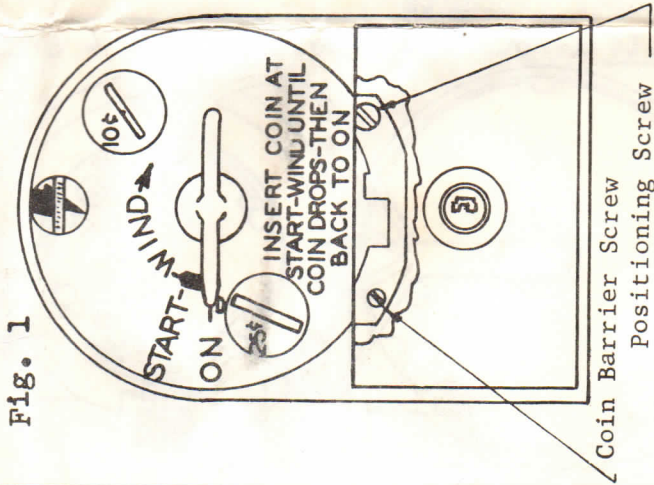


Fig. 2

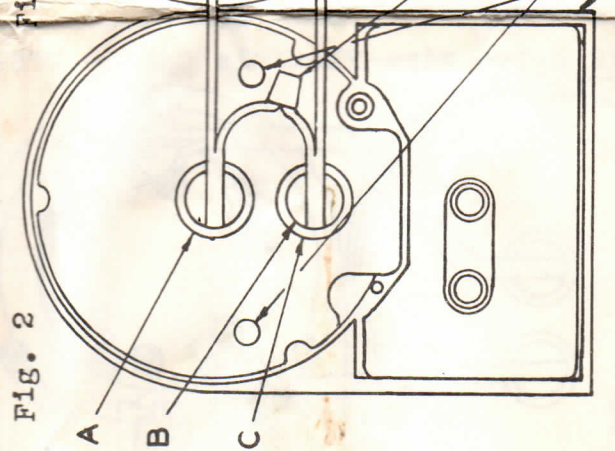


Fig. 3

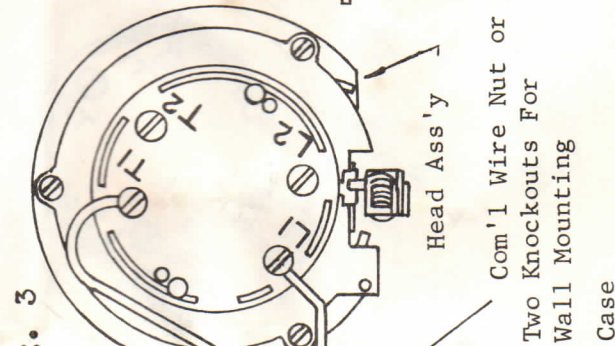


Fig. 4

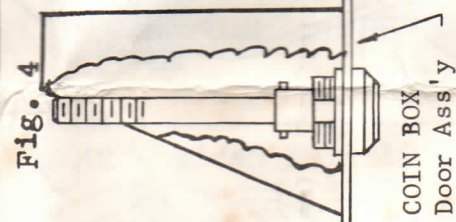


Fig. 5

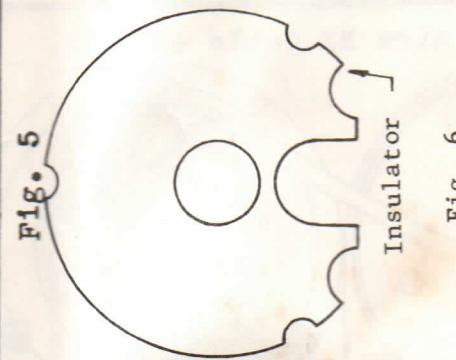


Fig. 6



Coin Barrier Screw Positioning Screw

INSTRUCTIONS FOR MOUNTING COIN METER

1. First remove door ass'y (Fig. 4) by inserting key and unscrewing lock. Remove 2 screws & coin barrier. Turn head ass'y (Fig. 3) clockwise, then lift out of case (Fig. 2).
2. Mount case by using holes provided in base of case or for wall mounting use knockout holes shown in Fig. 2.
3. If installation is to be made with 2-two wire flexible cords, remove small lower knockout (B) and insert rubber grommet. (Fig. 2)
4. Place insulator in case (Fig. 2). Bring lead wires thru holes in case and connect as shown in Fig. 2 and Fig. 3. This applies to 2-two wire flexible cord SPST arrangement. For other flexible cord, BX cable, SPST and DPST arrangements see back side of instruction sheet.
5. Replace head ass'y in case and turn counter-clockwise, then place coin barrier into position (see Fig. 1) using positioning screw to hold it in place. (Do not tighten screw) Install coin barrier screw to fasten the other side of the coin barrier to the case. Tighten both screws.
6. If installation is to be made with rigid connectors, remove large knockouts A & C (As required), see Fig. 7, 8, 9, 10, then apply BX connectors.

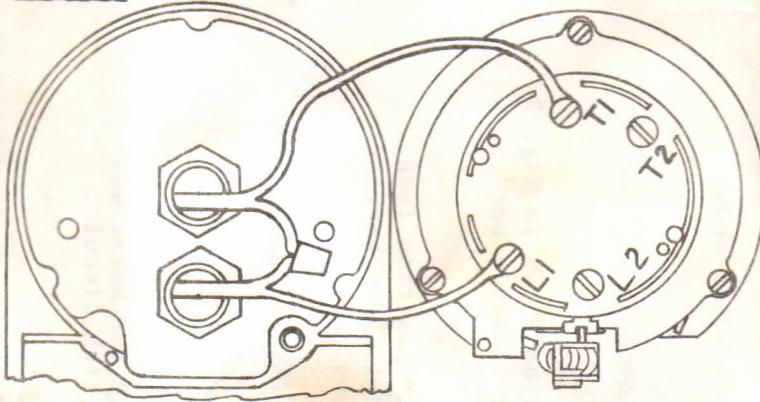
HOW TO OPERATE COIN METER

Turn knob to "Start". Then place coin in proper slot. Turn knob in direction of arrow until coin drops into coin box. Timer is then wound. Turn knob back to "ON" which closes switch circuit. Coin meter will then operate for timed period.

M. H. RHODES, INC. HARTFORD, CONN.

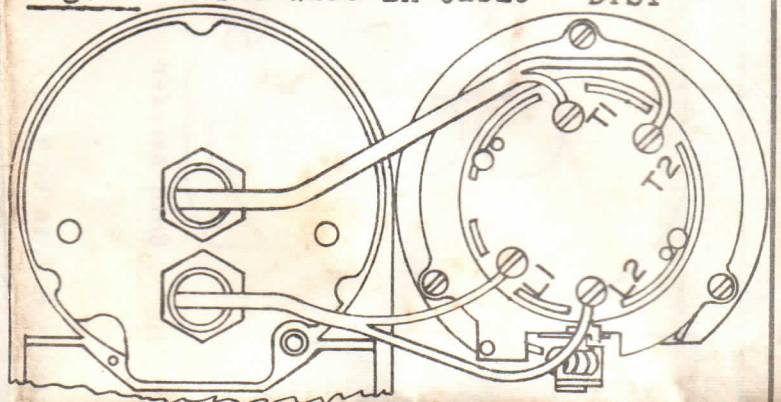


Fig. 7 2-Two Wire BX Cable - SPST



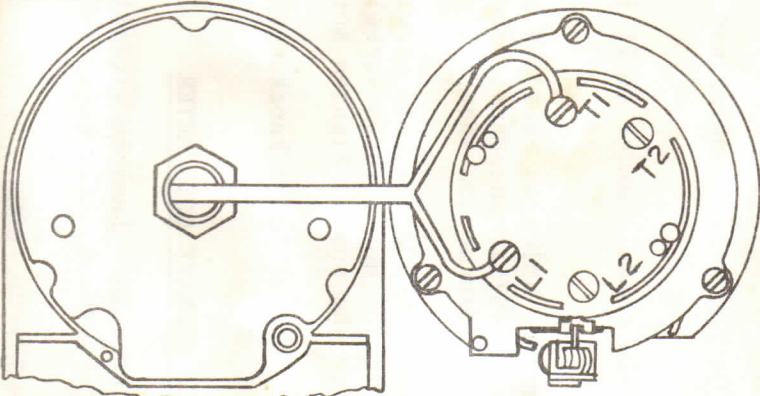
2 Connectors

Fig. 8 2-Two Wire BX Cable - DPST



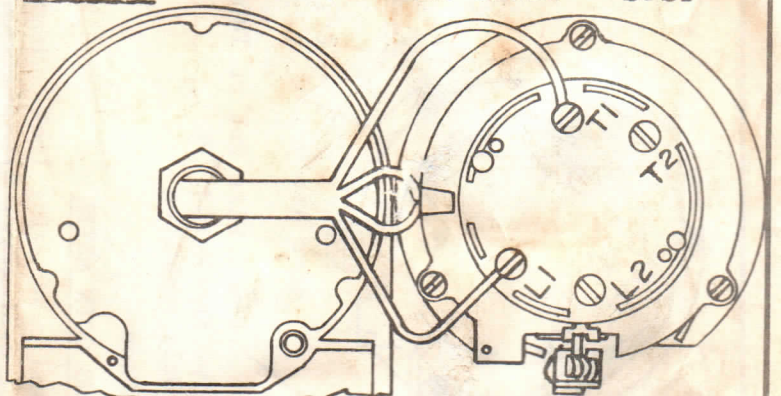
2 Connectors

Fig. 9 1-Two Wire BX Cable - SPST



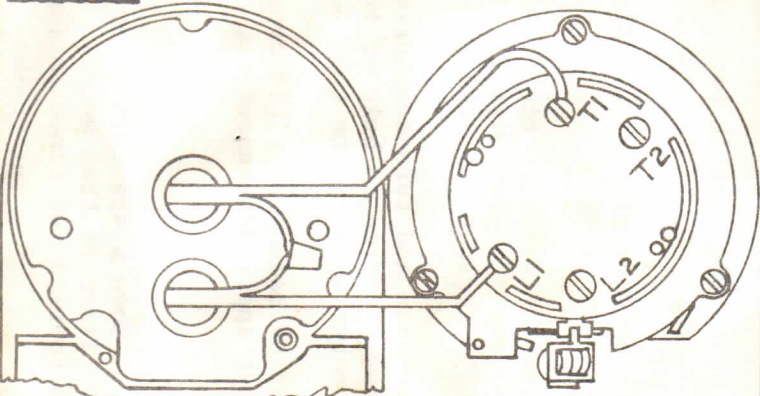
1 Connector

Fig. 10 1-Four Wire BX Cable - SPST



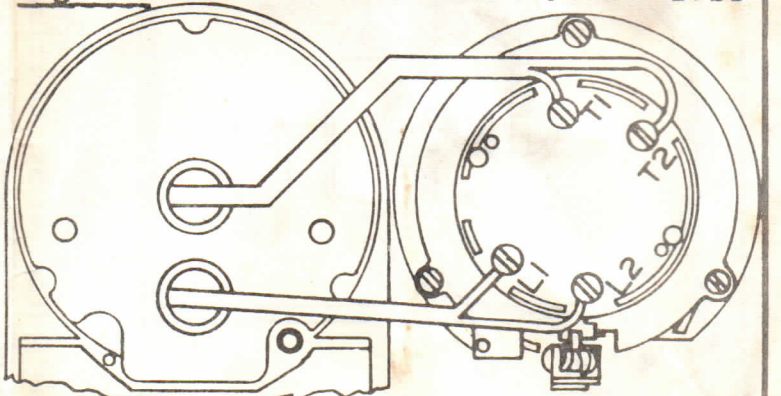
1 Connector

Fig. 11 2-Two Wire Flexible Cord - SPST



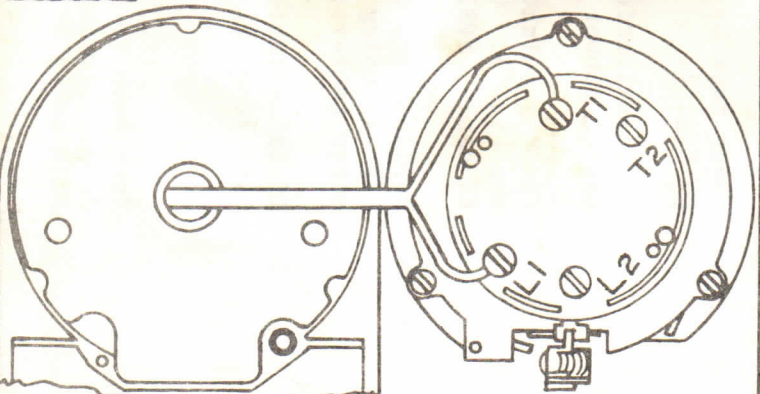
2 Rubber Grommets

Fig. 12 2-Two Wire Flexible Cord - DPST



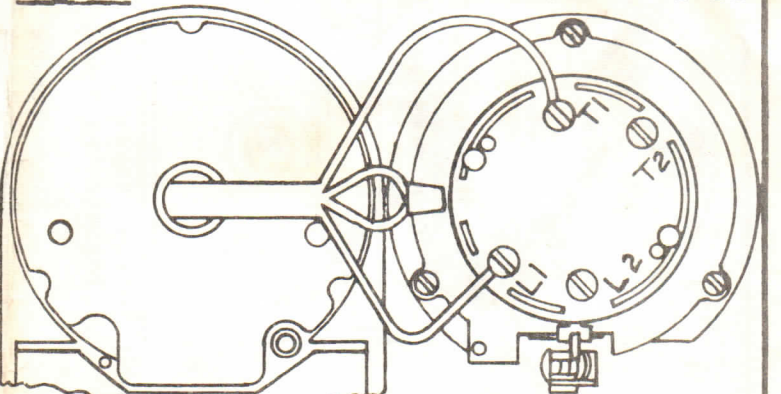
2 Rubber Grommets

Fig. 13 1-Two Wire Flexible Cord - SPST



1 Rubber Grommet

Fig. 14 1-Four Wire Flexible Cord - SPST



1 Rubber Grommet